

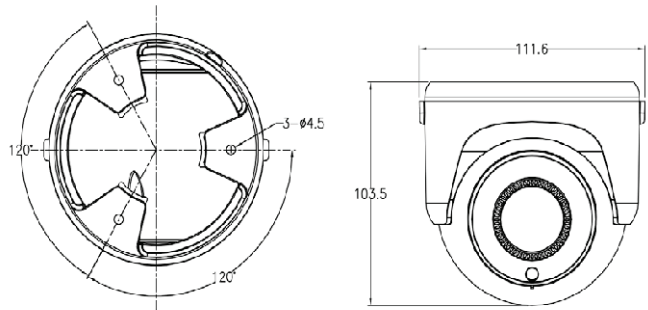
EL-852T281

2MP H.265 IP 1080P WDR
IR EYEBALL POE CAMERA



FEATURES

- 2.0MP H.265 real-time coding
- 3D DNR, DWDR
- IR-Cut filter, Day&Night
- PoE power supply
- Lightning protection up to 6KV
- IP67 ingress protection
- Support iOS/Android remote monitoring



SPECIFICATIONS

Image Sensor	2.0MP 1/2.9" Progressive Scan CMOS
Minimum Illumination	Color 0.01LUX / B&W 0.001LUX @ (F1.2, AGC ON); 0 Lux with IR
Shutter Time	1/25s to 1/10,000s
Lens	2.8 - 12 mm Varifocal
Lens Mount	Ø14
Horizontal FOV	29° - 104°
Digital NR	3D DNR
IR Range	20-30 m
Resolution	1080P, 1.3MP, 720P, D1, CIF
Ethernet	1*10 / 100Mbps RJ45 ethernet port
Alarm Trigger	Motion detection, Private mask, Local alarm
Temperature	-30°C to 60°C
Humidity	10% - 90% RH
Power Supply	DC 12 V 10% 2A, PoE, Max 3W
Protection Level	IP67
Weight	400 g
Dimensions	Ø111.6 x 105 mm

